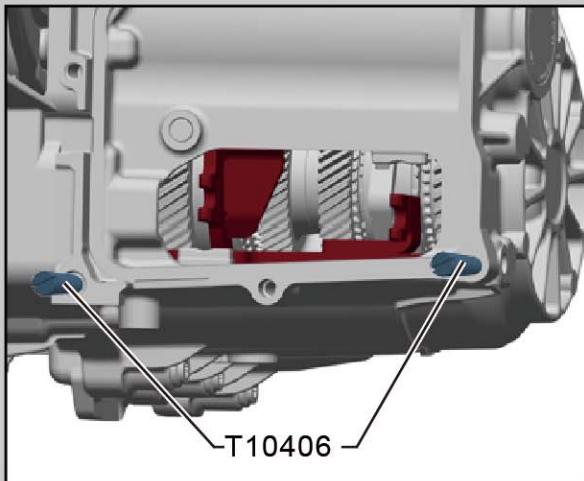
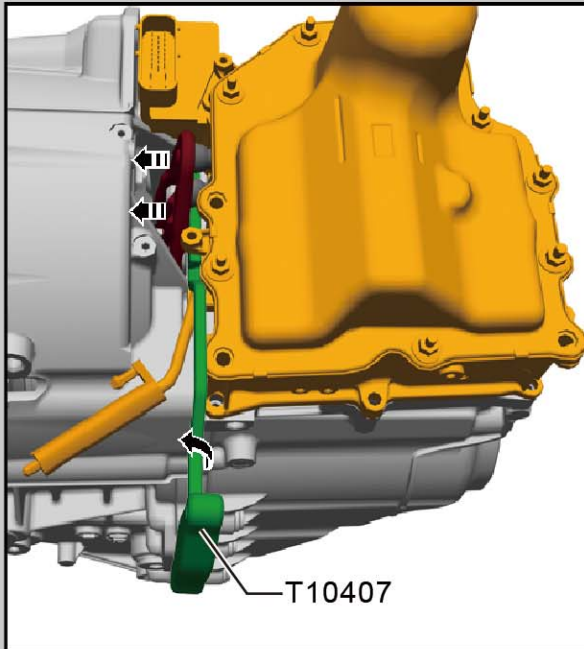
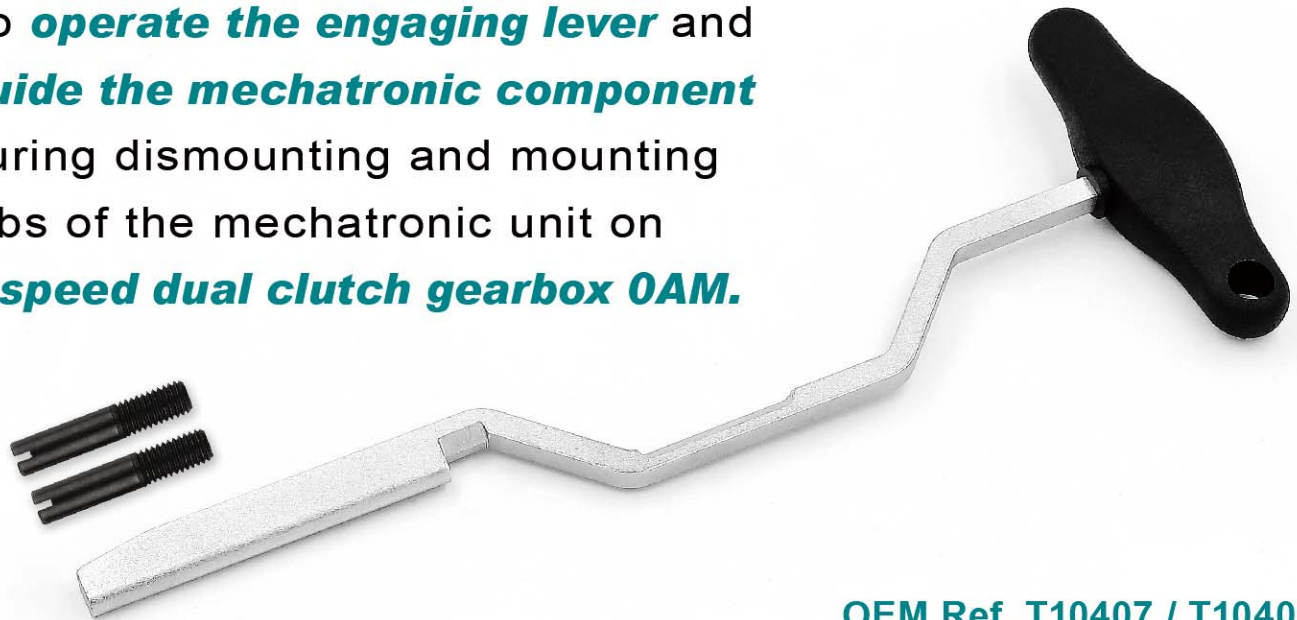


Assembly Lever and Guide Pin – Mechatronic (**DSG 0AM / DQ200**)



To **operate the engaging lever** and **guide the mechatronic component** during dismounting and mounting jobs of the mechatronic unit on **7-speed dual clutch gearbox 0AM**.



OEM Ref. **T10407 / T10406**

Audi	A3 2004>
VW	Golf 2004>, Golf 2009>, Golf Plus 2005>, Golf Variant 2007>, Golf Variant 2010>, Polo 2009>, Polo 2014>, Scirocco 2009>, Jetta 2005>, Jetta 2011>, Passat 2006>, Passat CC 2009>, Touran 2004>, Eos 2006>
SEAT	Altea 2005>, Altea 2009>, Toledo 2005>, Toledo 2013>, Leon 2006>, Leon 2009>, Leon 2013>, Altea XL 2007>, Altea XL 2009>, Altea Freetrack 2007>, Altea Freetrack 2009>, Ibiza 2008>
Skoda	Fabia 2007>, Octavia 2004>