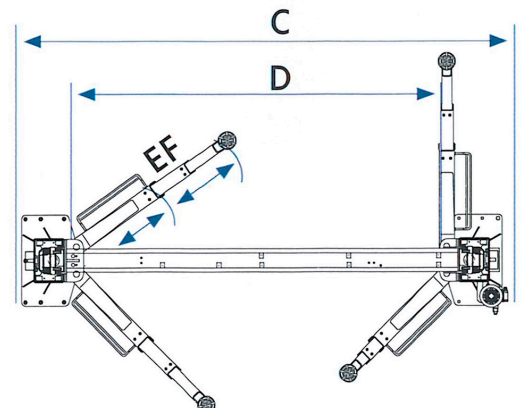
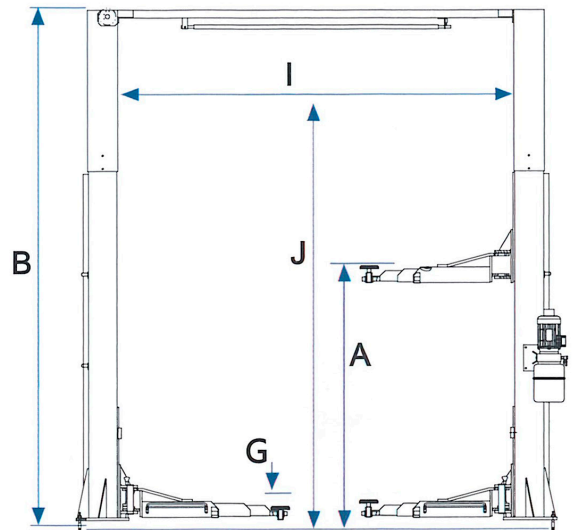
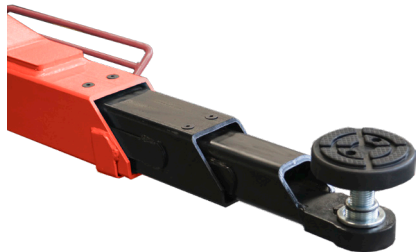


**JAR-258** Elevador Electrohidráulico de dos columnas, sin base, Trifásico 5000 Kg  
**Electrohydraulic lift with two columns, without base, Three-phase 5000 Kg**



CE



Capacidad - Capacity	5000 Kg	A	1900 mm
Motor Trifásico Three phase Capacity	3 Kw - 3 ph	B	4420 mm
Voltaje - Voltage 3 ph	400/230 V 50/60 hz	C	4150 mm
Tiempo de subida Lowering time	±60" seg	D	2960 mm
Tiempo de bajada Lowering time	20-60" seg	E	886 mm
Peso - Weight	1110 Kg	F	1800 mm
		G	110 mm
		I	3260 mm
		J	3180 mm