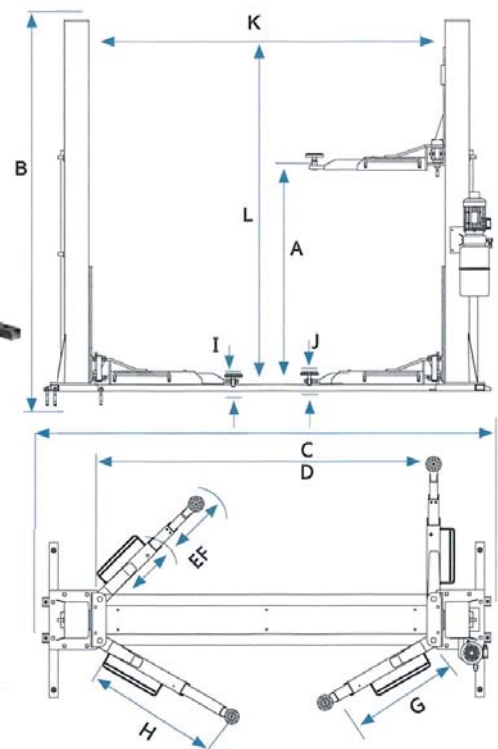


JAR-252 Elevador Electrohidráulico de dos columnas, con base, Trifásico 4000 Kg
Electrohydraulic lift with two columns, without base, Three-phase 4000 Kg



CE



Capacidad - Capacity	4000 Kg
Motor Trifásico - Three phase Capacity	2,2 Kw - 3 ph
Motor Monofásico - Monophase Capacity	1,8 Kw - 1 ph
Voltaje - Voltage 3 ph	400/230 V 50/60 hz
Voltaje - Voltage 1 ph	230 V 50/60 hz
Tiempo de subida Trifásico - Three phase raising time	±60" seg
Tiempo de subida monofásico - Monophase raising time	±75" seg
Tiempo de bajada - Lowering time	±40" seg
Peso - Weight	700 Kg

A	1900 mm
B	2880 mm
C	3484 mm
D	2486 mm
E	685 mm
F	1100 mm
G	845 mm
H	1330 mm
I	110 mm
J	155 mm
K	2760 mm
L	2680 mm